

Phase cut /Triac dimmable driver PWM output (KVF - TDW series 120W)



Features

- Output constant voltage
- UL, cUL listed, Class P, Type HL
- Universal AC input: 100-277VAC
- Power Factor: up to 0.99
- High efficiency : up to 82%
- Dimming range: 0-100%
- Load: 10-100%
- Protection:short circuit/over loading/ Over temperature
- PWM output, does not change the color index
- Full protection aluminum housing, for dry, damp, wet location
- Flicker-free
- Compatible with Forward phase, Reverse phase, Triac, MLV, ELV Dimmers
- Cooling by free air convection
- Suitable for LED lighting and moving sign applications



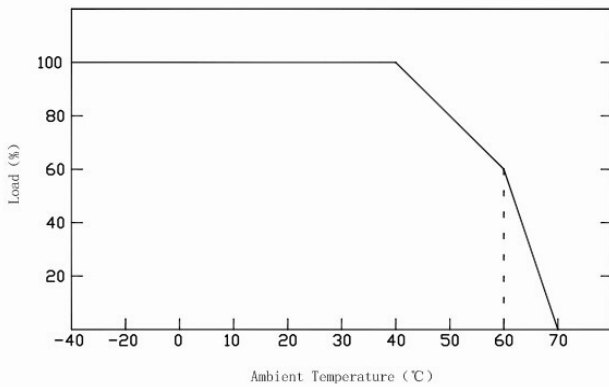
Specifications

Model	KVF-12120-TDW	KVF-24120-TDW	
Certificates	FCC UL cUL	FCC UL cUL	
Output	DC Voltage	12V	24V
	Rated Current	10A	5A
	Rated Power	120W - 480W	
	Voltage Tolerance	±0.5V	
	Voltage Regulation	±0.5%	
	Load Regulation	±2%	±1%
Input	Voltage Range	100-277VAC	
	Frequency Range	47-63Hz	
	Power Factor (Typ.) @ full load	0.99@120VAC 0.96@277VAC	0.98@120VAC 0.96@277VAC
	THD (Typ.) @ full load	<20%	
	Efficiency (Typ.) @ full load	82%	82%
	AC Current (Max.)	1.7A@100VAC	
	Inrush Current (Typ.)	20A, 50%, 1.6ms	
	Leakage current	<0.50mA	
Protection	Short Circuit	shut down o/p voltage, re-power on to recover after fault condition is removed	
	Over Loading	≤120% constant current limiting, auto-recovery	
	Over temperature	100°C±10°C shut down o/p voltage, automatically recover after cooling.	
Environment	Working TEMP.	-40~+60°C (see below derating curve)	
	Working Humidity	20~90% RH, non-condensing	
	Storage TEMP. Humidity	-40~+80°C, 10~95%RH	
	TEMP .coefficient	±0.03%/°C (0~50°C)	
	Vibration	10~500Hz, 5G 10min./1 cycle,period for 60min. each along X,Y,Z axes	
Safety & EMC	Safety standards	UL8750	
	Withstand voltage	I/P-O/P:1.88KVac	
	Isolation resistance	I/P-O/P:100MΩ/500VDC/25°C/70%RH	
	EMC EMISSION	FCC Part 15 B	
others	Net. Weight	1.05Kg	
	Size	230*70*43mm (L*W*H)	
	packing	10PCS/CTN	

Phase cut /Triac dimmable driver PWM output (KVF - TDW series 120W)

Notes	1. All Parameters are done on 120VAC input and a ambient temperature of 25 degrees Celsius (77 degrees Fahrenheit)
-------	--

Derating Curve

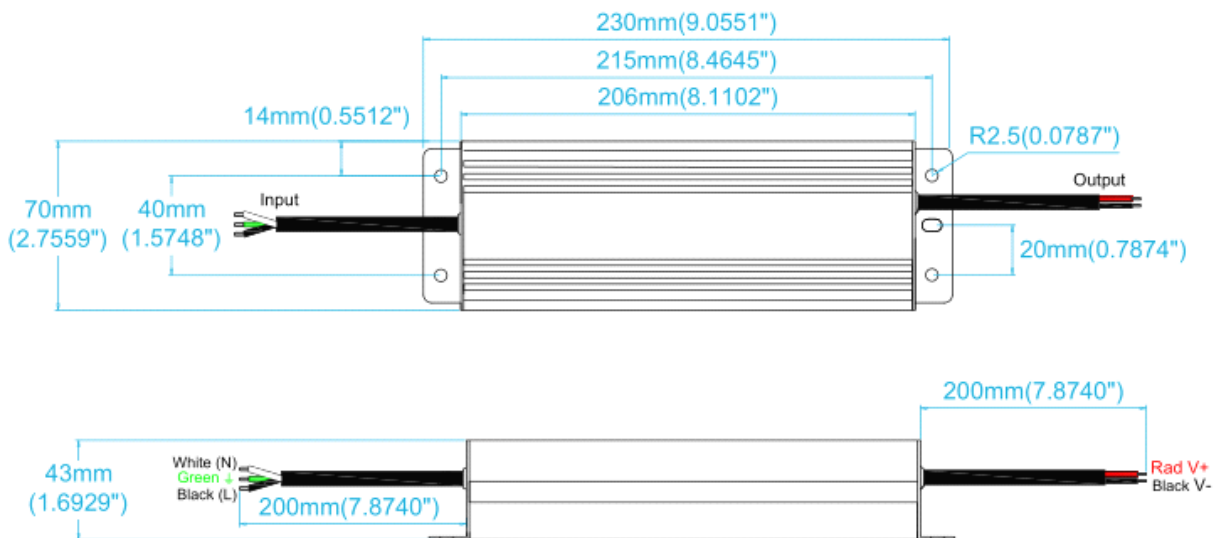


※IMPORTANT. Read carefully. The driver MUST be installed on a well ventilated location. Do not locate the driver in a box without active ventilation. The driver should have at least 50mm/2 inch space from any wall. Create at least 15mm/0.5" space between the bottom of the power supply and the wall/floor. See the derating curve on how heat impacts the drivers' performance.

Mechanical Specification

Unite: mm

Tolerance:P 0.5-2mm



※ Input Rubber wire 3*18AWG Black and White to be connected to AC L and N ,Green wire go ground,

※Output Rubber wire, 2*16AWG Red to LED Positive side (+) , Black to LED Negative side (-).

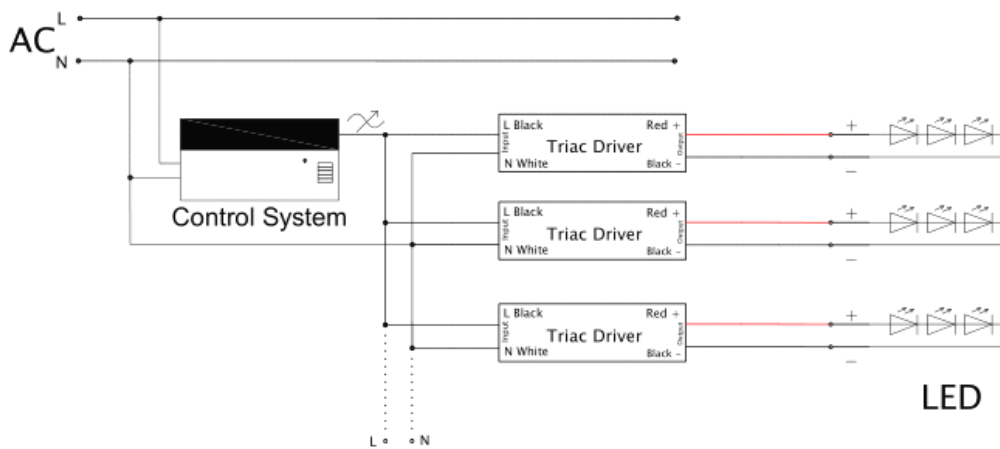
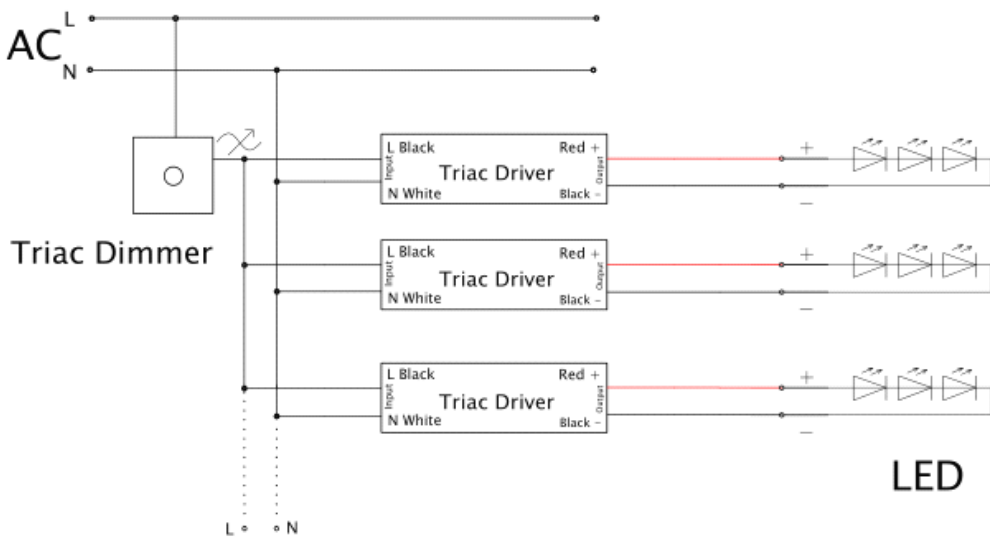
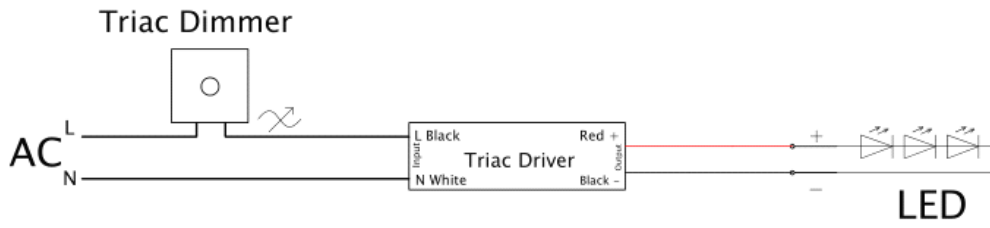
Dimming Operation

※The Pulse-Width Modulation (PWM) of output voltage can be adjusted through input terminal of the AC phase line(L) by connection a phase/triac dimmer.

※Usually matching with Forward phase , leading edge , Magnetic low voltage, triac dimmers, or Reverse phase, trailing edge ,Electric low voltage Dimmers.

※Please try to use dimmers with power at least 1.5 times as the output power of the driver.

Connecting Diagram



Instruction:

- 1) This driver must be installed by a licensed electrician only.
- 2) Ensure that there is adequate ventilation around the driver. Do not install in a box or enclosure without active ventilation.
- 3) Keep the driver out of direct sun light and install in a dry place only.
- 4) Ensure the wiring and connections are correct before turning on.